

PIKE1319 tensioning and cutting tool for steel straps

Product information

The PIKE1319 tensioner is suitable for tensioning and cutting the steel straps
... [Read more](#)

Features: Tightening power 4000 N

Material: Steel/plastic

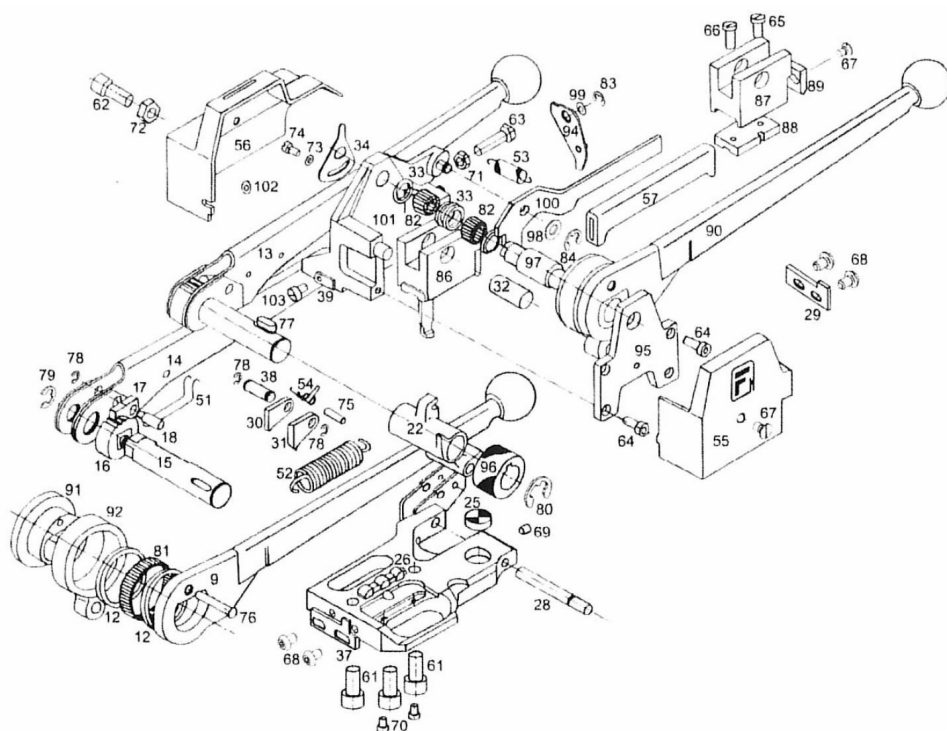
Finish: Painted yellow/blue



PIKE1319 tensioning and cutting tool for steel straps

Technical data / Spare Parts

Part code	Band width mm
PIKE1319	13 - 20



SPARE PARTS

PIKE1319 tensioning and cutting tool for steel straps

Product code	Product name
PIOSA15	PK-1319 spare part n:o 15 (axle)
PIOSA16	PK-1319 spare part n:o 16 (gear)
PIOSA17	PK-1319 spare part n:o 17 (latch)
PIOSA18	PK-1319 spare part n:o 18 (pin)
PIOSA25	PK-1319 spare part n:o 25 (bottom stud)
PIOSA26	PK-1319 spare part n:o 26 (bottom punch)
PIOSA29	PK-1319 spare part n:o 29 (back plate)
PIOSA37	PK-1319 spare part n:o 37 (front plate)
PIOSA52	PK-1319 spare part n:o 52 (spring)
PIOSA53	PK-1319 spare part n:o 53 (spring)
PIOSA56	PK-1319 spare part n:o 56 (right cover)
PIOSA57	PK-1319 spare part n:o 57 (plastic part of handle)
PIOSA76	PK-1319 spare part n:o 76 (pin)
PIOSA78	PK-1319 spare part n:o 78 (safety pin)
PIOSA88	PK-1319 spare part n:o 88 (upper punch)
PIOSA89	PK-1319 spare part n:o 89 (Cutting blade)
PIOSA93	PK-1319 spare part n:o 100 (short handle 100+57)
PIOSA94	PK-1319 spare part n:o 94 (band traction)
PIOSA96	PK-1319 spare part n:o 96 (traction roller)