

## Crane forks with adjustable forks

---

### Product information



For handling of standard pallets from the long side. Thanks to the spring-loaded lifting eye, the pallet fork is self-balancing, which means that the forks are always horizontal, regardless of whether the pallet fork is empty or loaded.

... [Read more](#)

---

**Material:** Beam and plate of high-strength structural steel

**Marking:** According to standard, CE-marked

**Finish:** Painted, yellow

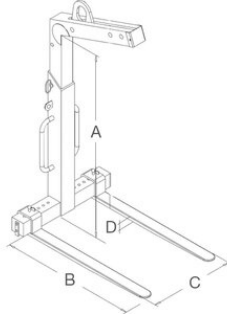
**Standard:** EN 13155

**Note:** Min. load at least 20% of the max. load!

**Safety factor:** 3:1

## Crane forks with adjustable forks

### Blueprint

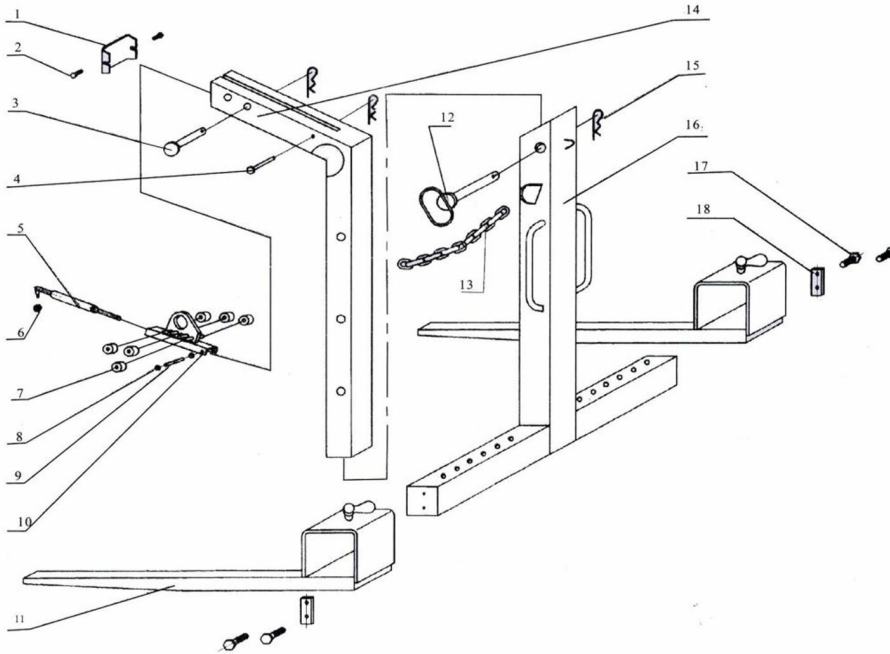


### Technical data / Spare Parts

Part code	WLL ton	A mm	B mm	C mm	D mm	Weight kg
NOH1500S	1.5	1300-2000	1,000	350-900	40	142
NOH3000S	3	1300-2000	1,000	450-900	50	260

## Crane forks with adjustable forks

### SPARE PARTS



Spare part (product code)	Description	Suitable for crane fork (product code)
NOH1500SKAJ	Gas spring for crane fork   Part no. 5	NOH1500SKS
NOH3000SKAJ	Gas spring for crane fork   Part no. 5	NOH3000SKS

Also other spare parts available with a delivery time, ask our sales for more information