



Clamp for vertical lifting and turning

Product information

For vertical lifting and turning of steel plates.

Suitable for standard steel materials with a surface hardness of up to 30 HRC.

Material: Steel

Marking: According to standard, CE-marked

Finish: Painted, yellow

Standard: EN 13155

Note: Lifting pieces weight must be minimum of 20% of maximum WLL!

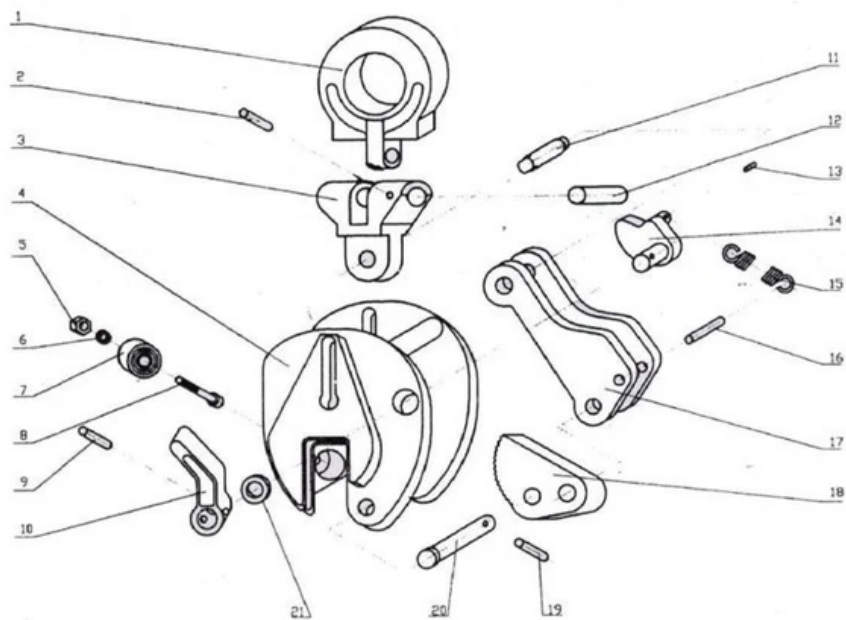
Warning: Not to be heat-treated!

Safety factor: 4:1

Part code	WLL ton	Jaw width mm	Test Load kN	A mm	B mm	C mm	D mm	E mm	F mm	G mm	H mm	K mm	Weight kg	Delivery time days
LTABT08	0.8	0-15	15,69	17	44	128	212	30	103	36	35	10	1.9	1
LTABT10	1	0-20	19,61	22	63	167	295	48	138	50	51	12	4.5	1
LTABT20	2	0-25	39,23	27	76	202	370	60	164	52	56	16	7.5	1
LTABT30	3	0-30	58,84	32	85	237	418	65	193	78	59	20	14.8	1
LTABT45	5	0-50	98,07	55	90	262	480	76	232	90	59	20	23	14
LTABT80	8	0-45	156,91	45	112	330	600	85	263	100	77	22	37	1

Technical data / Spare Parts

SPARE PARTS



Spare part (product code)	Description	Suitable for clamp (product code)
LTABT05VOS01	Spare part set no. 1 Pivoting ring Part no. 1	LTABT08
LTABT05VOS02	Spare part set no. 2 Connecting block, pin and roll pin Part nos. 2, 3, 12	LTABT08
LTABT05VOS03	Spare part set no. 3 Round jaw, screw, washer and lock nut Part nos. 5-8	LTABT08
LTABT05VOS04	Spare part set no. 4 Jaw pin and roll pin Part nos. 19-20	LTABT08
LTABT05VOS05	Spare part set no. 5 Clamping jaw, connecting plate, connecting block pin and roll pin Part nos. 11, 16, 17-18	LTABT08
LTABT05VOS06	Spare part set no. 6 Function lever / Locking eccentric assy Part nos. 9-10, 13-14, 21	LTABT08
LTABT05VOS07	Spare part set no. 7 Pulling spring Part no. 15	LTABT08
LTABT10VOS01	Spare part set no. 1 Pivoting ring Part no. 1	LTABT10

LTABT10VOS02	Spare part set no. 2 Connecting block, pin and roll pin Part nos. 2, 3, 12	LTABT10
LTABT10VOS03	Spare part set no. 3 Round jaw, screw, washer and lock nut Part nos. 5-8	LTABT10
LTABT10VOS04	Spare part set no. 4 Jaw pin and roll pin Part nos. 19-20	LTABT10
LTABT10VOS05	Spare part set no. 5 Clamping jaw, connecting plate, connecting block pin and roll pin Part nos. 11, 16, 17-18	LTABT10
LTABT10VOS06	Spare part set no. 6 Function lever / Locking eccentric assy Part nos. 9-10, 13-14, 21	LTABT10
LTABT10VOS07	Spare part set no. 7 Pulling spring Part no. 15	LTABT10
LTABT20VOS01	Spare part set no. 1 Pivoting ring Part no. 1	LTABT20
LTABT20VOS02	Spare part set no. 2 Connecting block, pin and roll pin Part nos. 2, 3, 12	LTABT20
LTABT20VOS03	Spare part set no. 3 Round jaw, screw, washer and lock nut Part nos. 5-8	LTABT20
LTABT20VOS04	Spare part set no. 4 Jaw pin and roll pin Part nos. 19-20	LTABT20
LTABT20VOS05	Spare part set no. 5 Clamping jaw, connecting plate, connecting block pin and roll pin Part nos. 11, 16, 17-18	LTABT20
LTABT20VOS06	Spare part set no. 6 Function lever / Locking eccentric assy Part nos. 9-10, 13-14, 21	LTABT20
LTABT20VOS07	Spare part set no. 7 Pulling spring Part no. 15	LTABT20
LTABT30VOS01	Spare part set no. 1 Pivoting ring Part no. 1	LTABT30
LTABT30VOS02	Spare part set no. 2 Connecting block, pin and roll pin Part nos. 2, 3, 12	LTABT30
LTABT30VOS03	Spare part set no. 3 Round jaw, screw, washer and lock nut Part nos. 5-8	LTABT30
LTABT30VOS04	Spare part set no. 4 Jaw pin and roll pin Part nos. 19-20	LTABT30
LTABT30VOS05	Spare part set no. 5 Clamping jaw, connecting plate, connecting block pin and roll pin Part nos. 11, 16, 17-18	LTABT30
LTABT30VOS06	Spare part set no. 6 Function lever / Locking eccentric assy Part nos. 9-10, 13-14, 21	LTABT30
LTABT30VOS07	Spare part set no. 7 Pulling spring Part no. 15	LTABT30
LTABT45VOS01	Spare part set no. 1 Pivoting ring Part no. 1	LTABT45
LTABT45VOS02	Spare part set no. 2 Connecting block, pin and roll pin Part nos. 2, 3, 12	LTABT45
LTABT45VOS03	Spare part set no. 3 Round jaw, screw, washer and lock nut Part nos. 5-8	LTABT45

LTABT45VOS04	Spare part set no. 4 Jaw pin and roll pin Part nos. 19-20	LTABT45
LTABT45VOS05	Spare part set no. 5 Clamping jaw, connecting plate, connecting block pin and roll pin Part nos. 11, 16, 17-18	LTABT45
LTABT45VOS06	Spare part set no. 6 Function lever / Locking eccentric assy Part nos. 9-10, 13-14, 21	LTABT45
LTABT45VOS07	Spare part set no. 7 Pulling spring Part no. 15	LTABT45
LTABT80VOS01	Spare part set no. 1 Pivoting ring Part no. 1	LTABT80
LTABT80VOS02	Spare part set no. 2 Connecting block, pin and roll pin Part nos. 2, 3, 12	LTABT80
LTABT80VOS03	Spare part set no. 3 Round jaw, screw, washer and lock nut Part nos. 5-8	LTABT80
LTABT80VOS04	Spare part set no. 4 Jaw pin and roll pin Part nos. 19-20	LTABT80
LTABT80VOS05	Spare part set no. 5 Clamping jaw, connecting plate, connecting block pin and roll pin Part nos. 11, 16, 17-18	LTABT80
LTABT80VOS06	Spare part set no. 6 Function lever / Locking eccentric assy Part nos. 9-10, 13-14, 21	LTABT80
LTABT80VOS07	Spare part set no. 7 Pulling spring Part no. 15	LTABT80

Note: Suitable for lifting clamps manufactured after (2017-)2018.

Also other spare parts available with a delivery time, ask our sales for more information.

Blueprint

