

Battery operated electric wire hoist for lifting and pulling 24 V

Product information



Light and easy to operate electrical winch for pulling and lifting. Stepless power control. Equipped with latch hook and overload indicator. 2 x powerfull 24V NiMh batteries and charger.

Note! Cable operating length 3.4 mtr

Features: Speed 2,5 m/min | Charging time 2 h

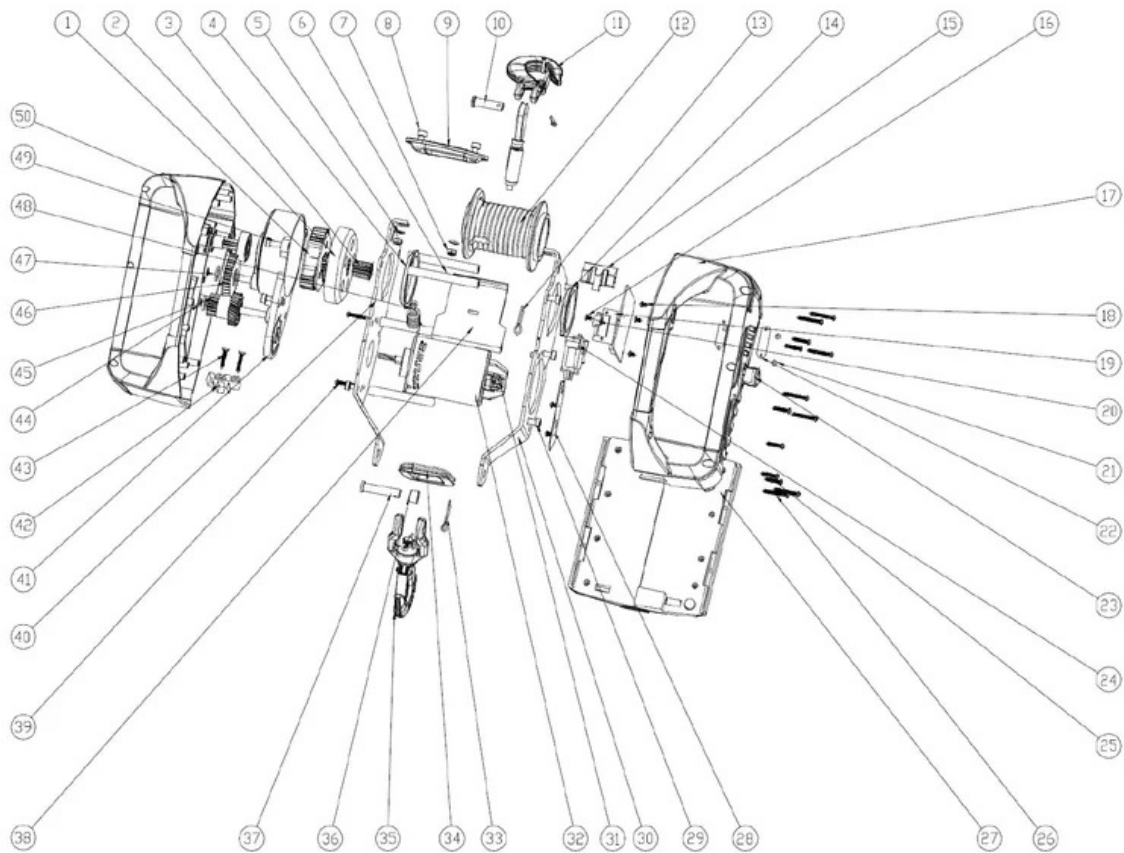
Marking: CE-marked

Note: No remote control available for the battery-operated hoist

Part code	WLL ton	Operation voltage (V)	Rope length m	Motor kW	Type of battery	Weight kg	Delivery time days
VANOS450A	0.45	24	4.6	0.75	2500 mAh	9.7	14

Technical data / Spare Parts

SPARE PARTS



Spare part (product code)

Description

Suitable for hoist (product code)

VANOSVAI4,6	Wire rope 4,6 m \varnothing 5,8 mm, effective working length 3,4 m Incl. drum	VANOS450A
VANOSAHILI	Coal Note! 2 pcs/hoist	VANOS450A
VANOSLATURI	Charger Part no. 51	VANOS450A
VANOSAKKU	Battery Part no. 27	VANOS450A
VANOSYKOU	Top swivel hook, incl. fasteners Part no. 36	VANOS450A
VANOSAKOU	Bottom hook, incl. fasteners Part no. 11	VANOS450A

Also other spare parts available with a delivery time, ask our sales for more information

Blueprint

