

## Pallet truck with scale 2500 kg

---

### Product information



Accuracy of the display unit is 0,5 kg with large liquid crystal display with tare. Equipped with four sensors allowing weighing of individual packages as well. Automatic power off function saves the battery. 210° turning angle enables easy moving and the maintenance-free hydraulics unit ensures care-free use.

Auxiliary wheels in front of and behind the bogies help getting under the pallets and speed up the work.

[... Read more](#)

---

**Features:** Screen IP5x | PU-wheels

**Marking:** CE-marked

## Pallet truck with scale 2500 kg

### Technical data / Spare Parts

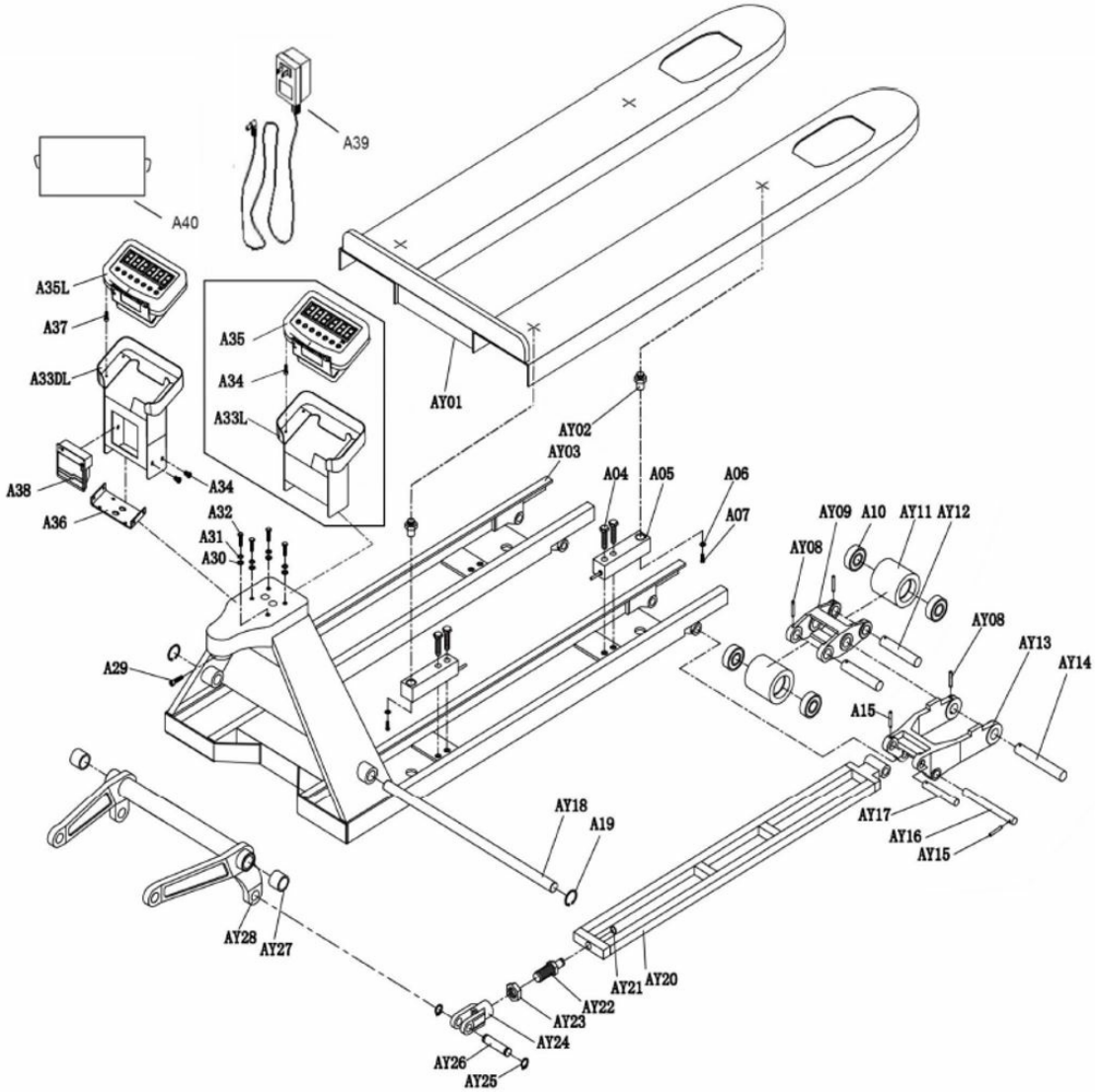
Part code	WLL ton	Width of forks mm	Length of forks mm	Minimum height of fork mm	Max. lifting height mm	Weight kg
HAVA2500V	2.5	540	1,150	75	200	105

## SPARE PARTS

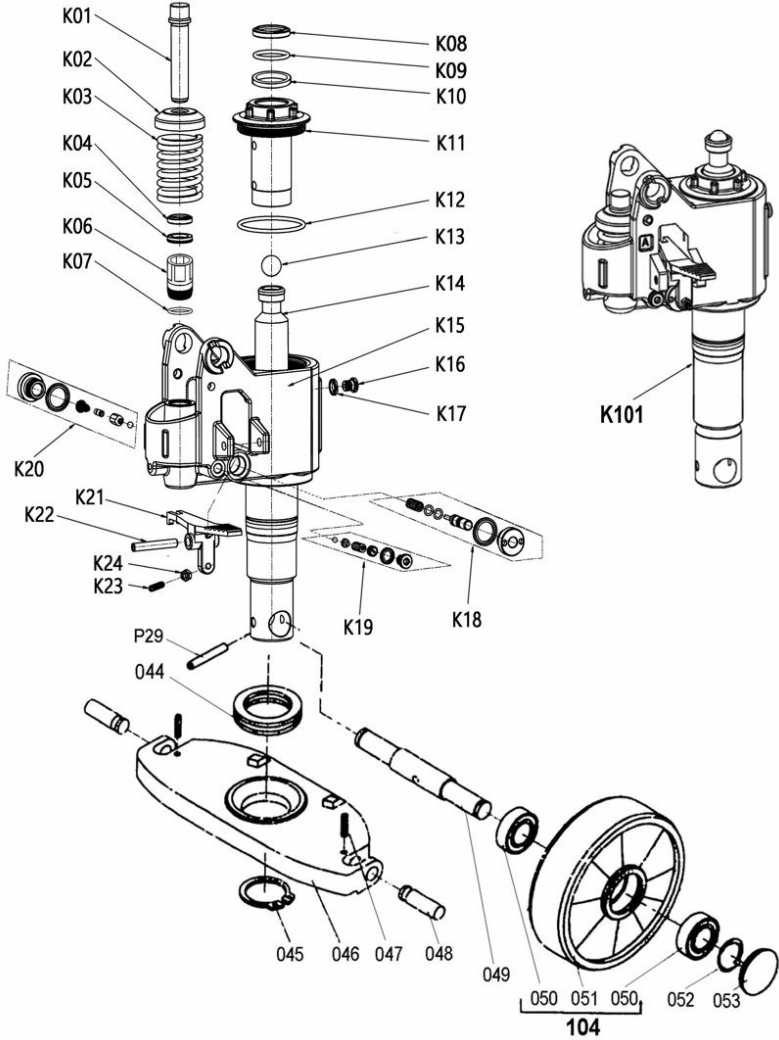
Spare part (product code)	Description	Suitable for pallet truck (product code)
HAVA2500VAKKUS	Spare part battery   Part no. A40	HAVA2500V
HAVA2500VLATURIS	Charger for scale display unit   Part no. A39	HAVA2500V
HAVA2500VNAYTTOS	Scale display unit   Part no. A35	HAVA2500V
HAVA2500VELIRUNKOS	Frame for fork wheels   Part no. AY09	HAVA2500V
HAVA25VISOS	Steering (big) wheel, incl. bearings   Part no. 051 + 050	HAVA2500V
HAVA25VELIS	Fork (loading) wheel, incl. bearings   Part no. AY11 + A10	HAVA2500V

Also other spare parts available with a delivery time, ask our sales for more information

# Pallet truck with scale 2500 kg



# Pallet truck with scale 2500 kg



## Pallet truck with scale 2500 kg

