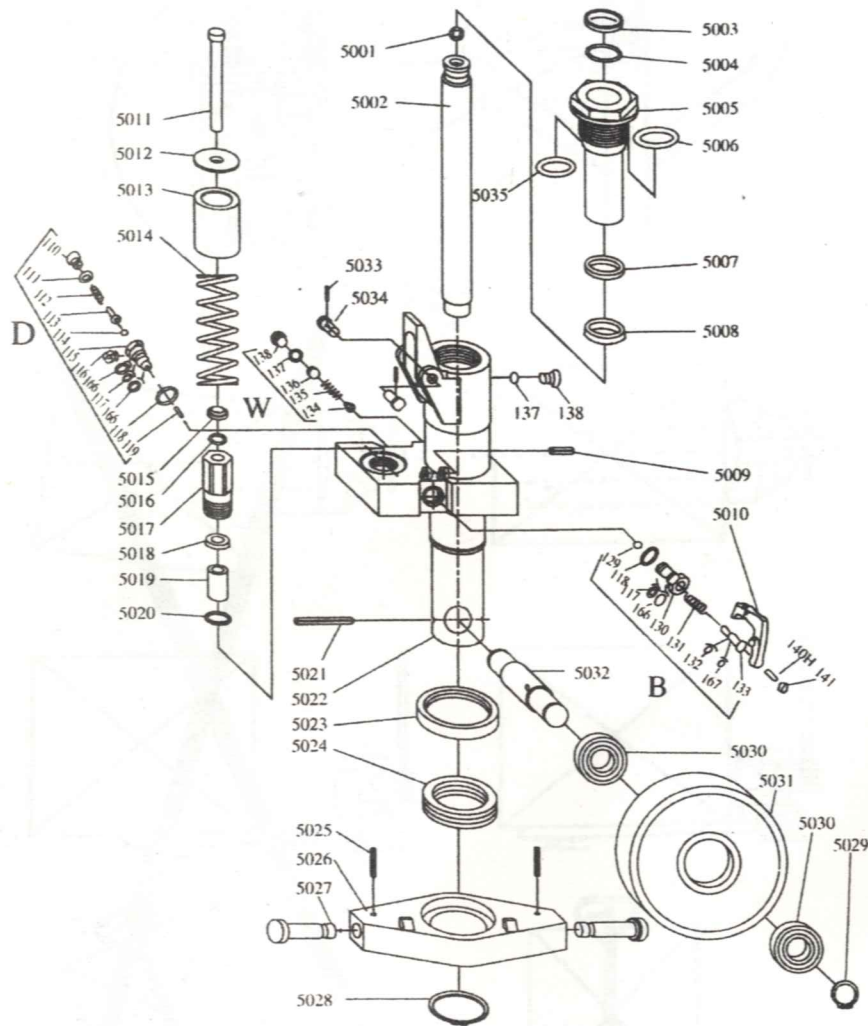


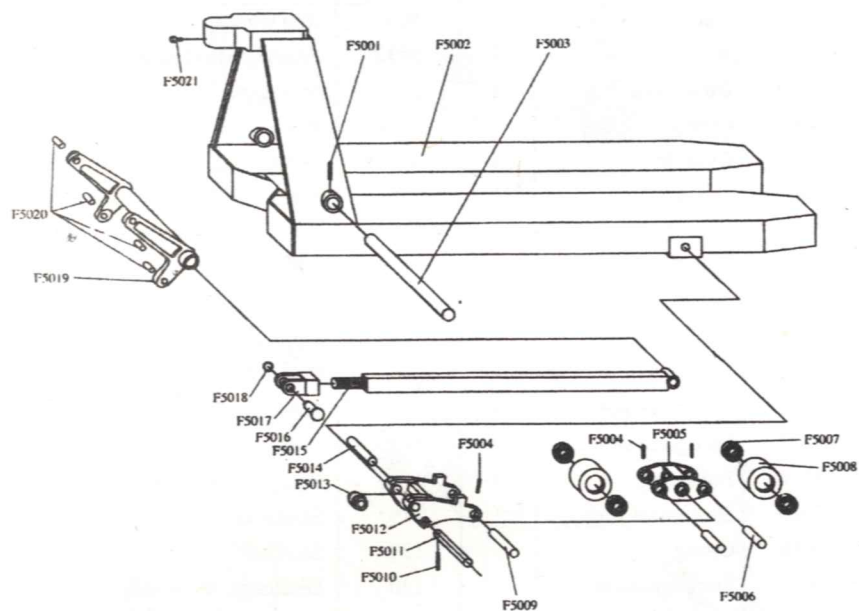
Pump Assembly



Parts List of Pump

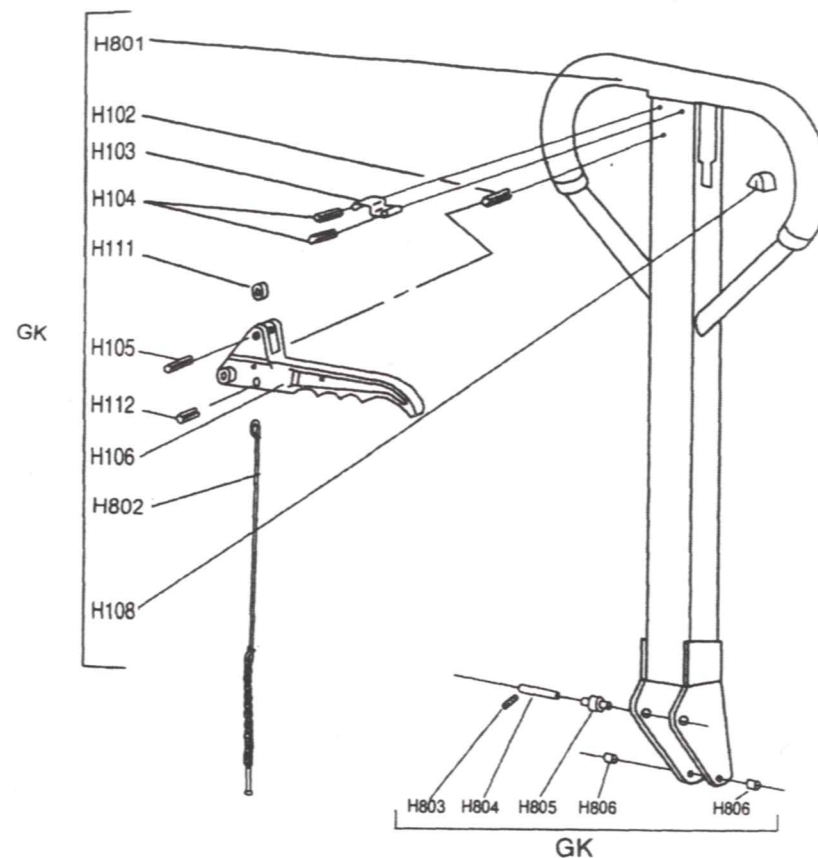
PARTS NO.	DESCRIPTION	Q'ty	PARTS NO.	DESCRIPTION	Q'ty
5001	Steel ball	1	5031	Iron wheel	2
5002	Rod	1	5032	Steering wheel axle	1
5003	Dust proof ring	1	5033	Spring pin	2
5004	O-ring	1	5034	Pin	2
5005	Cylinder	1	5035	O-ring	1
5006	O-ring	1	110	Screw	1
5007	Washer	1	111	Red copper washer	1
5008	Seal ring	1	112	Spring	1
5009	Spring pin	1	113	Pressure rod	1
5010	Crank link	1	114	Steel ball	1
5011	Pump rod	1	115	Pressure valve body	1
5012	Spring washer	1	116	Split ring	1
5013	Spring cover	1	117	O-ring	2
5014	Big spring	1	118	Red copper washer	2
5015	Dust proof ring	1	119	Steel needle	1
5016	O-ring	1	129	Steel ball	1
5017	Pump cylinder	1	130	Discharge valve body	1
5018	Seal ring	1	131	Spring	1
5019	Nylon bushing	1	132	O-ring	1
5020	Red copper washer	1	133	Discharge valve shaft	1
5021	Spring pin	1	134	Valve taper core	1
5022	Cylinder	1	135	Spring	1
5023	Bushing	1	136	Pressure regulating screw	1
5024	Bearing	1	137	O-ring	2
5025	Spring pin	2	138	Screw	2
5026	Rhombus plate	1	140H	Setting screw	1
5027	Dowel pin	2	141	Nut	1
5028	Retaining ring	1	166	Retainer	3
5029	Retaining ring	2	167	Retainer	1
5030	Bearing	4			

Frame Assembly



Parts List of Frame

PARTS NO.	DESCRIPTION	Q'ty	PARTS NO.	DESCRIPTION	Q'ty
F5001	Spring pin	1	F5012	Wheel frame	2
F5002	Frame	1	F5013	Roller	2
F5003	Torsion tube shaft	1	F5014	Axle	2
F5004	Spring pin	6	F5015	Rod	2
F5005	H-link	2	F5016	Pin	2
F5006	Load roller axle	4	F5017	Fork joint	2
F5007	Bearing	8	F5018	Retaining ring	2
F5008	Load roller	4	F5019	Torsion tube assembly	1
F5009	H-link axle	2	F5020	Bushing	4
F5010	Parallel pin	2	F5021	Hex socket screw	1
F5011	Roller axle	2			



Parts List of Handle

PARTS NO.	DESCRIPTION	Q'ty	PARTS NO.	DESCRIPTION	Q'ty
H801	Handle	1	H103	Spring leaf	1
H802	Rod and chain	1	H104	Spring pin	2
H803	Set screw	1	H105	Spring pin	1
H804	Shaft	1	H106	Control lever	1
H805	Pressure roller	1	H108	Rubber cushion	1
H806	Bushing	2	H111	Nylon roller	1
H102	Spring pin	1	H112	Spring pin	1