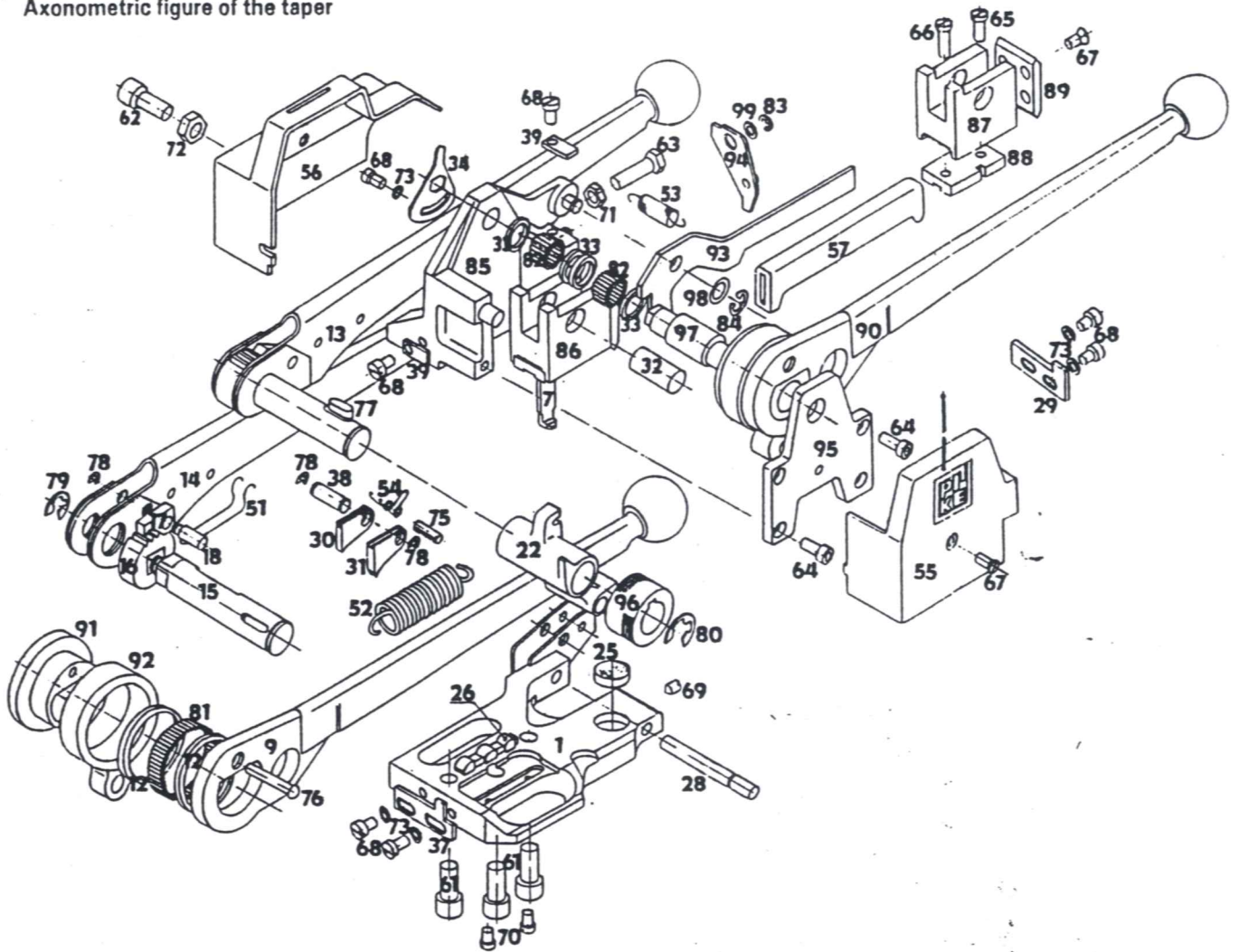


Axonometric figure of the taper



Spare parts list:

- 1. plate
- 7. ejector
- 9. out off lever
- 12. ring
- 13. tightening lever complete
- 14. tightening lever
- 15. shaft
- 16. ratchet wheel
- 17. catch (snap, detent)
- 18. catch pin
- 22. fork
- 25. die
- 26. punch
- 28. fork pin
- 29. back-stop
- 30. catch
- 31. catch
- 32. piston pin
- 33. ring
- 34. adjusting lever
- 37. front stop
- 38. pin
- 39. setting up piece
- 51. spring
- 52. spring
- 53. spring
- 54. spring
- 55. right cover
- 56. left cover
- 57. handle
- 61. screw M 10 X 16
- 62. screw M 8 X 22
- 63. screw M 6 X 25
- 64. screw M 6 X 12
- 65. screw M 5 X 16
- 66. screw M 5 X 20
- 67. screw M 5 X 10
- 68. screw M 5 X 8
- 69. screw M 5 X 6
- 70. screw M 4 X 8
- 71. nut M 8
- 72. nut M 8
- 73. washer 6,3
- 75. pin 4 X 16
- 76. rivet 5 X 28
- 77. key 5 X 5 X 16
- 78. safety ring 4
- 79. safety ring 9
- 80. safety ring 12
- 81. needle 2,5 X 9,8 (54 pieces)
- 82. needle 2,5 X 9,8 (22 pieces)
- 83. safety ring 6
- 84. safety ring 7
- 85. body complete
- 86. piston complete
- 87. piston with pins
- 88. punching die
- 89. cutting off knife
- 90. out off lever complete
- 91. eccentric
- 92. connecting rod
- 93. lever
- 94. lever complete
- 95. side
- 96. tightening disk
- 97. eccentric pin
- 98. washer
- 99. washer

