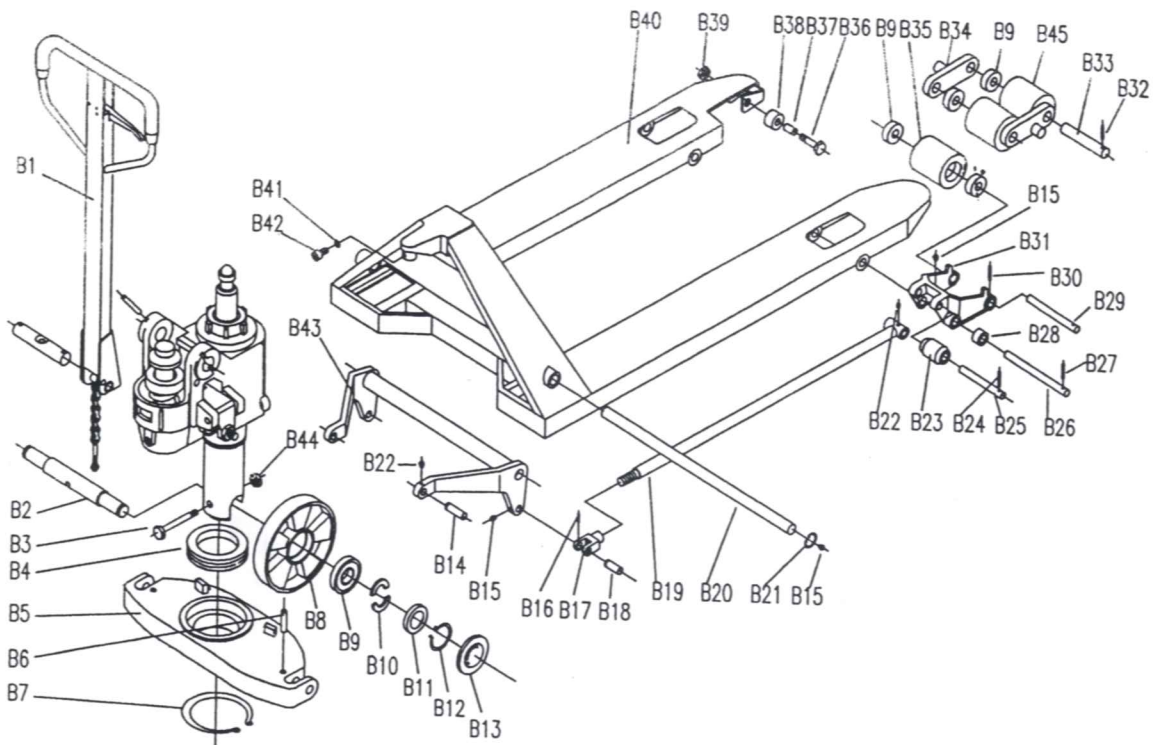


NO.	DESCRIPTION	QUANTITY
B101	BLADE SPRING	1
B102	SPRING PIN	2
B103	ROLLER	1
B104	SPRING PIN	1
B105	SPRING PIN	1
B106	SPRING PIN	1
B107	HANDLE	1
B108	HANDLE TUBE	1
B109	SHAFT	1
B110	SPRING PIN	1
B111	PRESSURE ROLLER	1
B112	BUSH	1
B113	PULL POLE	1
B114	BUSH	2
B115	CHAIN	1
B116	NUT	1
B117	SPRING PIN	2
B118	SHAFT	1
B119	PLUG	1
B120	COPPER WASHER	2
B121	SPRING	1
B122	SPINDLE OF DAMPING VALVE	1
B123	SEAT OF DAMPING VALVE	1
B124	STEEL BALL	1
B125	BASE	1
B126	COPPER WASHER	2
B127	BOLT	2

NO.	DESCRIPTION	QUANTITY
B128	SPRING PIN	1
B129	STRIKE PIN	1
B130	O-RING	1
B131	AXLE SLEEVE	1
B132	O-RING	1
B133	BOLT	1
B134	NUT	1
B135	LEVER PLATE	1
B136	BOLT	1
B137	SPRING	1
B138	BALL BASE	1
B139	STEEL BALL	1
B140	PIN	1
B141	Y-RING	1
B142	O-RING	1
B143	CYLINDER CAP	1
B144	O-RING	1
B145	DUST RING	1
B146	STEEL BALL	1
B147	PUMP PLUNGER	1
B148	WASHER	1
B149	SPRING	1
B150	DUST RING	1
B151	Y-RING	1
B152	PISTON ROD	1
B153	RETAINING RING FOR AXLE	1

BFI-QJD



NO.	DESCRIPTION	QUANTITY	NO.	DESCRIPTION	QUANTITY
B1	HANDLE AND PUMP COMPLETE	1	B24	SPRING PIN	2
B2	BIG WHEEL SHAFT	1	B25	SHAFT	2
B3	BOLT	1	B26	SHAFT	2
B4	BEARING	1	B27	SPRING PIN	2
B5	SUPPORTING BASE	1	B28	ROLL RING	4
B6	SPRING PIN	2	B29	SHAFT	2
B7	RETAINING RING FOR AXLE	1	B30	SPRING PIN	2
B8	BIG WHEEL	2	B31	FRAME OF FORK WHEEL	2
B9	BEARING	8	B32	SPRING PIN	8
B10	HALF CIRQUE	4	B33	SHAFT	4
B11	BOWL WASHER	2	B34	NOG OF FORK WHEEL	4
B12	RETAINING RING FOR AXLE	2	B35	FORK WHEEL	2
B13	DUST COVER	2	B36	BOLT	2
B14	PIN	2	B37	SHEATH	2
B15	OILER	8	B38	WHEEL	2
B16	SPRING PIN	2	B39	NUT	2
B17	JOINT	2	B40	FORK FRAME	1
B18	PIN	2	B41	SPRING LOCK WASHER	1
B19	STRAIGHT TAPPET	2	B42	BOLT	1
B20	LONG SHAFT	1	B43	ROCKER ARM	1
B21	RETAINING RING FOR HOLE	2	B44	NUT	1
B22	OILER	4	B45	FORK WHEEL	4
B23	ROLL SHEATH	2			

BFI-BYC